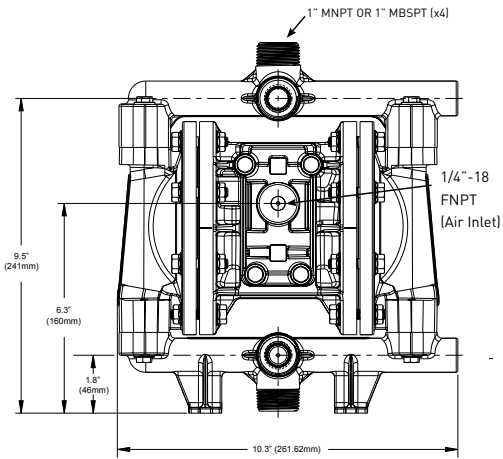
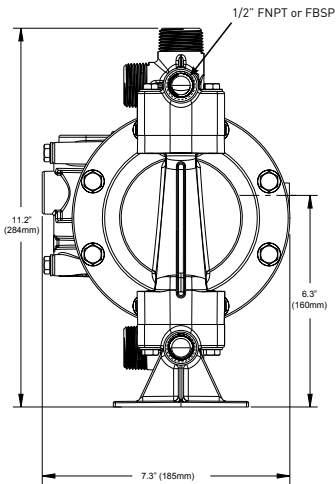


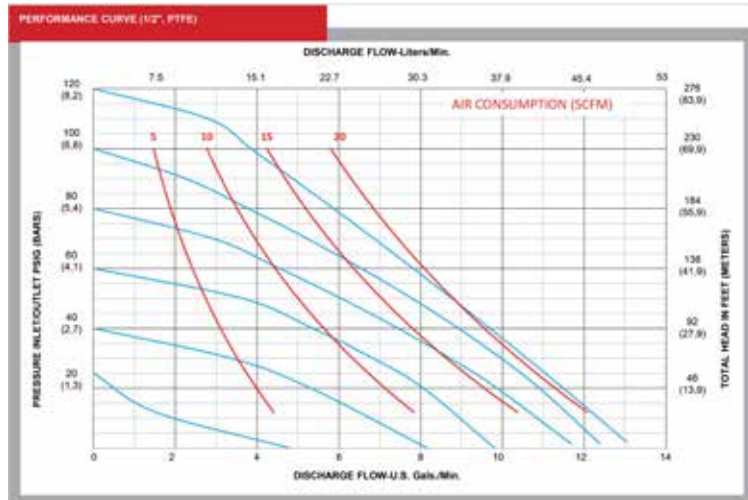
# 1/2" Bolted Version (metallic)



Front View



Side View



Dimensions in inches and (mm).

Rev. 5



Performance Specifications	
Max. Flow:	14 gpm (53.0 lpm)
Max. Air Pressure:	120 psi (8.3 bar)
Max. Solids:	1/8" (3.2 mm)
Max. Suction Lift Dry:	15 ft-H <sub>2</sub> O (4.5 m-H <sub>2</sub> O)
Max. Suction Lift Wet:	31 ft-H <sub>2</sub> O (9.4 m-H <sub>2</sub> O)
Weight:	AL-10 lbs (4.5 kg)/SS-20 lbs (9.1 kg)
Air Inlet:	1/4" FNPT
Liquid Inlet:	1/2" FNPT/BSPT
Liquid Outlet:	1/2" FNPT/BSPT
Height:	11.2" (284 mm)
Width:	10.3" (262 mm)
Depth:	6.4" (163 mm)**

Type	Materials of construction		Part No.
	Housing	Diaphragm, Valve Balls, Seals	
1/2" ALB Alu/Geolast®	Aluminum	Geolast®	LJAG-B 1/2
1/2" ALE Alu/Santoprene®	Aluminum	Santoprene®	LJAE-B 1/2
1/2" ALT Alu/Teflon®	Aluminum	Teflon®	LJAT-B 1/2
1/2" ALV Alu/Viton®	Aluminum	Viton®	LJAV-B 1/2
1/2" SSB SS/Geolast®	Stainless Steel	Geolast®	LJSG-B 1/2
1/2" SSE SS/Santoprene®	Stainless Steel	Santoprene®	LJSE-B 1/2
1/2" SST SS/Teflon®	Stainless Steel	Teflon®	LJST-B 1/2
1/2" SSV SS/Viton®	Stainless Steel	Viton®	LJSV-B 1/2

**Material description**

- Geolast® = NBR/PP compound
- Kynar® = PVDF = Polyvinylidene fluoride
- Nylon = PA = Polyamide-compound
- Santoprene® = EPDM/PP-compound
- Teflon® = PTFE = Polytetrafluorethylene
- Viton® = FPM = Fluoro Elastomer

**Typical application**

200 l-drum pumping, ink recirculation and feed, chemicals, solvents, acids, soap dispensing

Teflon® and Viton® are registered Trademarks of DuPont Company. Kynar® is a registered Trademark of Penwalt Corp. Santoprene® is a registered Trademark of Monsanto Company. Geolast® is a registered Trademark of Advanced Elastomer Systems.