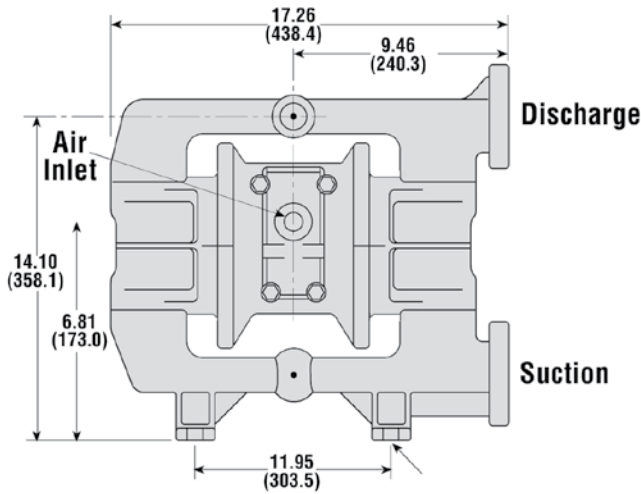
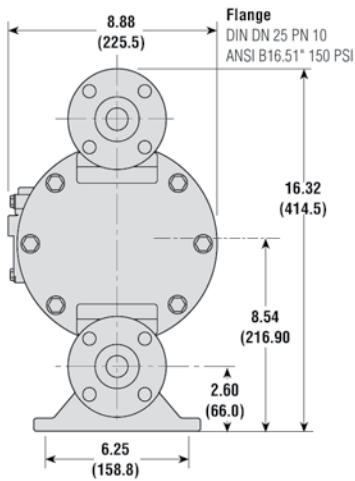


# 1" Bolted Version (non-metallic)



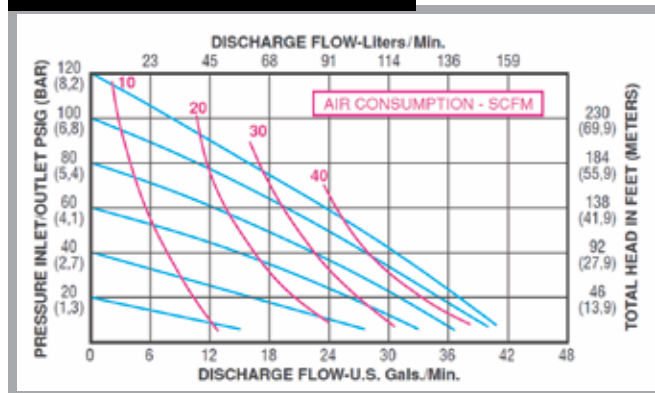
Front View



\*Approximate Dimension with Muffler 10.25 (260.4)

Side View

## PERFORMANCE CURVE



Dimensions in inches and [mm].



Performance Specifications	
Max. Flow:	41 gpm (155.8 lpm)
Max. Air Pressure:	120 psi (8.2 bar)
Max. Solids:	1/4" (6.2 mm)
Max. Suction Lift Dry:	15 ft-H <sub>2</sub> O (4.5 m-H <sub>2</sub> O)
Max. Suction Lift Dry w/PTFE:	10 ft-H <sub>2</sub> O (3.0 m-H <sub>2</sub> O)
Max. Suction Lift Wet:	26 ft-H <sub>2</sub> O (7.9 m-H <sub>2</sub> O)
Weight Polypropylene:	20 lbs (9.1 kg)
Weight PVDF:	30 lbs (13 kg)
Air Inlet:	1/4" FNPT
Liquid Inlet:	1" ANSI/DIN Flanged, 1" FNPT or 1" FBSPT
Liquid Outlet:	1" ANSI/DIN Flanged, 1" FNPT or 1" FBSPT
Height:	16.32" (414.5 mm)
Width:	17.26" (438.4 mm)
Depth:	8.88" (225.6 mm)

Type	Materials of Construction		Part No.
	Housing	Diaphragm, Valve Balls, Seals	
1" PPB PP/Geolast®	PP	Geolast®	LJPG-B1
1" PPE PP/Teflon®	PP	Teflon®	LJPT-B1
1" PPT PP/Santoprene®	PP	Santoprene®	LJPE-B1
1" PPV PP/Viton®	PP	Viton®	LJPV-B1
1" KNV KN/Teflon®	Kynar®	Teflon®	LJKT-B1

### Material description

- Geolast® = NBR/PP compound
- Kynar® = PVDF = Polyvinylidene fluoride
- Polypropylene = PP
- Santoprene® = EPDM/PP-compound
- Teflon® = PTFE = Polytetrafluorethylene
- Viton® = FPM = Fluoro Elastomer

### Typical application

Drum and small tank transfer, pickling solutions, chemical feed

Teflon® and Viton® are registered Trademarks of DuPont Company. Kynar® is a registered Trademark of Penwalt Corp. Santoprene® is a registered Trademark of Monsanto Company. Geolast® is a registered Trademark of Advanced Elastomer Systems.