

General

Diaphragm metering pump heads have relatively large clearance volumes to take the nonrigid diaphragm contours into account. The unfavourable effects of these clearance volumes are felt in particular when operating metering heads that are not yet filled with liquid, as the vacuum created during the suction stroke remains low, and the liquid is only primed a short distance. The effects of reduced suction power are most obvious in the case of very small metering pumps or larger pumps with a low stroke setting. In addition to this problem, effervescent media like sodium hypochlorite or hydrogen peroxide might also affect the pump operation.

Function

The head venting attachment can be screwed directly onto the discharge valve of the metering pump. The liquid escaping during startup and possibly during automatic venting should be returned to the chemicals supply tank via a (preferably transparent) hose. To prevent air from entering, it is recommended to run the return hose as far as to the bottom of the tank.

Note

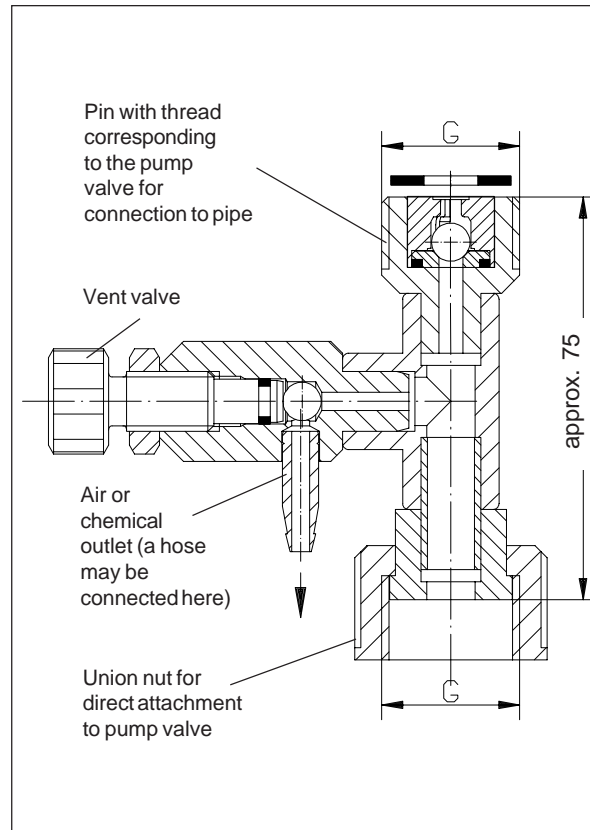
During operation the valve stem must not be turned out because otherwise etching may occur.

For startup the valve stem is turned by one revolution to the left, and the pump is put into operation at the highest possible output. As soon as any chemical appears in the return hose carefully tighten the valve stem and secure it by means of a lock nut. For metering pumps with capacities of 2 l/h and more, continuous venting can be activated. In this case it must be taken into account that some of the metered chemical is constantly returned so that the output is reduced. The metering pump must be adjusted so that, despite the amount of returned chemical, the right quantity is metered.

A nonreturn valve at the outlet of the head venting prevents a pressure drop and emptying of the metering line during venting. Thus the venting function is separated from the system side.

Versions

The venting attachment can be supplied for all pumps with valve connection threads G 5/8 and G 3/4. These include all valves with a ball diameter of 6.5 and 10 mm. The appropriate venting attachment for the different pump models is shown in the following table.

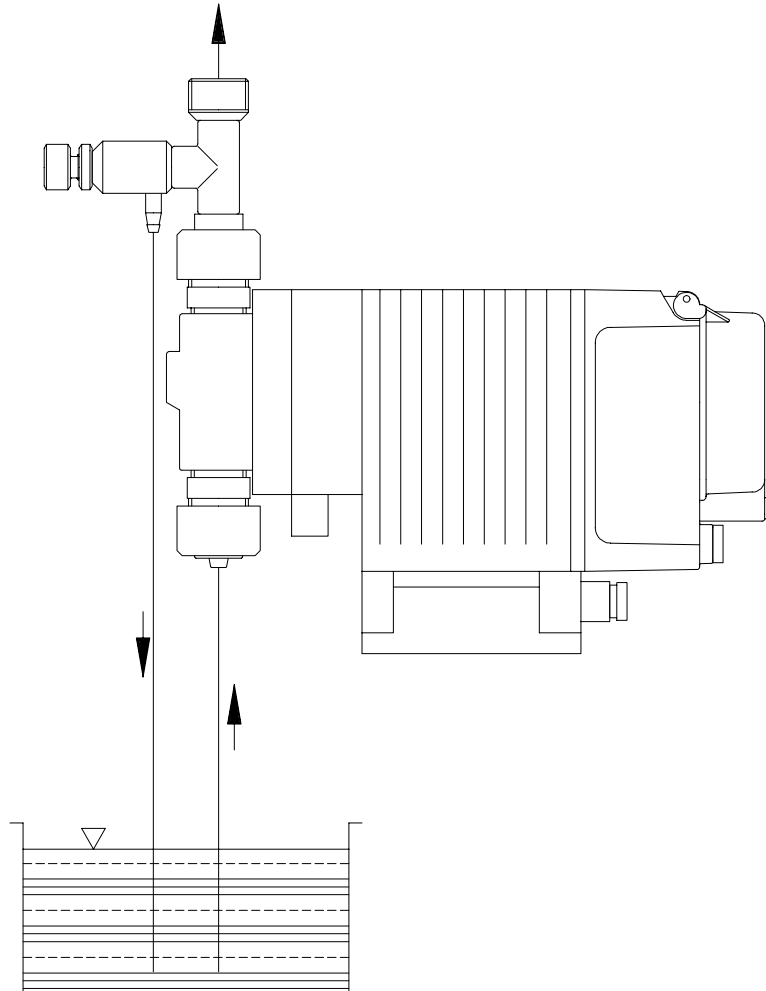


Selection table

For use with metering pump	Connection thread	Part No.
Magdos 01...12	G 5/8	13326423
Minidos A 3...24		
Memdos TM/M 4...8		
Magdos DE/DX 20	G 3/4	13326422
Memdos TM 10...45		
Fedos TK/K 2...40		
Rekos KR 8...75		
Kardos KN 10...85		
Kardos N 16...72		

Materials

Housing : PVC
 Seals : Viton
 Valve : Glass ball/PVDF seat

Installation**Metering Head Venting**

It is recommended to use suction lines with return connection for barrels (type GA and GB).