

Ideal proportional dosing

Contact water meter



Ideal proportional dosing

The throughflow-independent release of the contact water meters permit ideal proportional dosing even with large flow rate variations.

Dosing pumps from the MAGDOS and MEMDOS SMART series are most suitable for the dosing, as they perform exactly one dosing stroke with every water meter contact.

They can also be adapted to contact sequences by increasing or reducing the pulses on the pump.

Multiple jet dry running water meter and wet running meter

The water meters are available as a (type DP) dry running water meter and a (type WS) wet running meter with a summing totaliser. The counter and the impeller of dry running water meters can be separated. This separation ensures that the dry running water meter is less sensitive to water impurities than a wet running meter, which is subject to a direct axle connection between the counter gear and the impeller.

Water flows into the impeller via multiple channels with both the dry and wet running meters. As a result, the water flow has an equal impact on the impeller, thereby guaranteeing a higher degree of measurement accuracy.

The water meters are available with a spacer for direct installation of a MAGDOS solenoid diaphragm dosing pump or a MEMDOS SMART stepper motor-driven diaphragm dosing pump. They are aligned to all the specified pumps so that the reed switch is not loaded impermissibly.

All the water meter types installed are intended for level installation (other versions available on request).

In general

- Multiple jet dry running water meter (type DP) or wet running meter (type WS)
- Summing contact totaliser
- Contact sequence in various areas (see table)
- Max. operating pressure 16 bar
- Max. water temperature 30 °C
- Max. contact load 24 V; 0,2 A (type DP) or 30 V; 0,05 A (type WS)

Technical data

Contact water meter			DP 405-5	DP 405-12	DP 405-20	DP 405-30
Nominal width	DN		20	25	40	50
Nominal volume flow Q_n	m ³ /h		4	6.3	16	25
Maximum volume flow Q_{max}	m ³ /h		5	7.88	20	30
Connection	male thread	DIN ISO 22811	G1	G1 1/4	G2	-
	flange	DIN 2501 PN16	-			DN50
Installation location meter	mm		190	260	300	270
Flange diameter	mm		-			165
Number screws			-			4
Weight	kg		1.7	2.5	4.7	11.7

Contact water meter			WS 80	WS 100	WS 150
Nominal width	DN		80	100	150
Nominal volume flow Q_n	m ³ /h		63	100	250
Maximum volume flow Q_{max}	m ³ /h		78.75	125	312.5
Connection	flange	DIN 2501 PN16	DN80	DN100	DN150
Installation location meter	mm		300	360	500
Flange diameter	mm		200	220	285
Number screws			8	8	8
Weight	kg		25.5	31.5	79.5

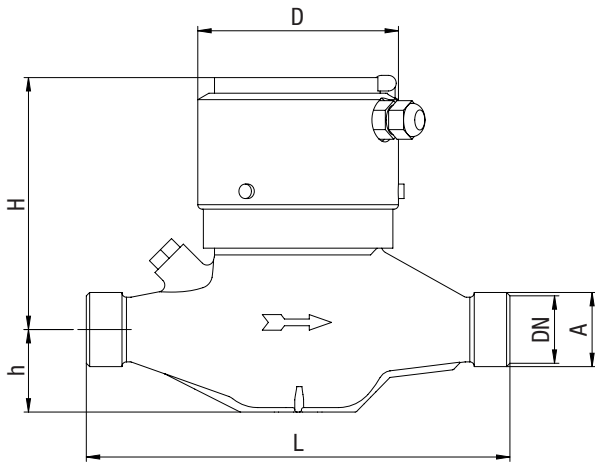
Pulse sequence

Litre/pulse	0.25	0.5	1	2.5	5	10	25	50	100	1000
DP 405-5	•	•	•	•	-	•	-	-	•	•
DP 405-12	•	•	•	•	-	•	-	-	•	•
DP 405-20	-	-	•	•	-	•	-	-	•	•
DP 405-30	-	-	•	•	-	•	-	-	•	•

Litre/pulse	0.25	0.5	1	2.5	5	10	25	50	100	1000
WS 80	-	-	-	-	-	•	-	-	•	•
WS 100	-	-	-	-	-	•	-	-	•	•
WS 150	-	-	-	-	-	•	-	-	•	•

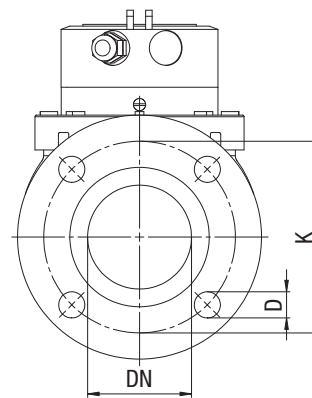
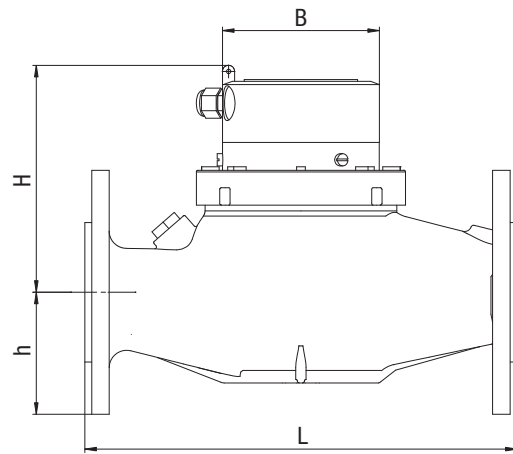
Dimensions

Contact water meter types DP 405-5, DP 405-12 and DP 405-20
All dimensions in mm



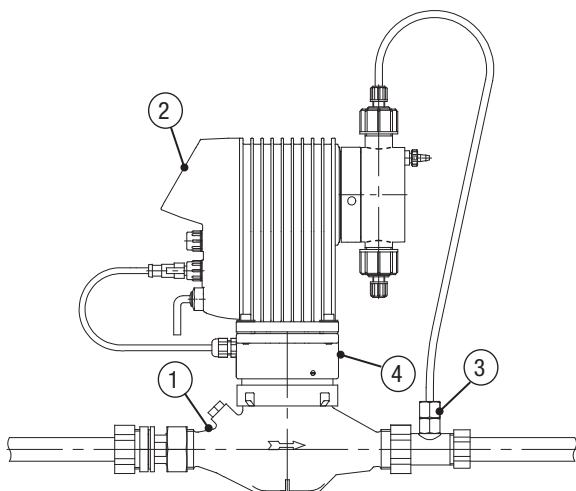
Contact water meter	DN	A	L	h	H	D
DP 405-5	20	G1	190	35	120	96
DP 405-12	25	G1 1/4	260	45	125	102
DP 405-20	40	G2	300	50	140	137

Contact water meter types DP 405-30, WS 80, WS 100 and WS 150
All dimensions in mm



Contact water meter	DN	B	L	h	H	D	K
DP 405-30	50	102	270	83	165	18	125
WS 80	80	110	300	102	180	18	160
WS 100	100	110	360	113	190	18	180
WS 150	150	110	500	155	394	22	240

Installation example



Item	Description
1	Contact water meter
2	Solenoid diaphragm dosing pump MAGDOS LK
3	Injection nozzle
4	Spacer

Accessories



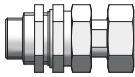
Spacer

Adapter for the set-up of MAGDOS LB, LD, LK, LP on the water meter
inc. mounting materials



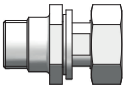
Water meter mounting frame

for DP 405-5
for DP 405-12
for DP 405-20



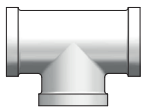
Screw connection with length adjustment

for DP 405-5 (DN20 G3/4 m)
for DP 405-12 (DN25 G1 m)
for DP 405-20 (DN40 G1 1/2 m)



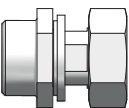
Connecting screw connection

for DP 405-5 (DN20 G3/4 m)
for DP 405-12 (DN25 G1 m)
for DP 405-20 (DN40 G1 1/2 m)



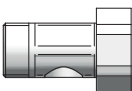
Brass T-piece for injection nozzle

for DP 405-5 (DN20 G3/4 f)
for DP 405-12 (DN25 G1 f)
for DP 405-20 (DN40 G1 1/2 f)



Connecting screw connection

for DP 405-5 (DN20 G1 m)
for DP 405-12 (DN25 G1 1/4 m)
for DP 405-20 (DN40 G2 m)



Screw connection with outflow G1/4 f

for DP 405-5 (DN20 G3/4)
for DP 405-12 (DN25 G1 1/4 m)
for DP 405-20 (DN40 G2 m)