



A measured step forward™

TRD SERIES - O&M Manual



Total | Metering
Fluid | Transfer
Management | Chem Feed

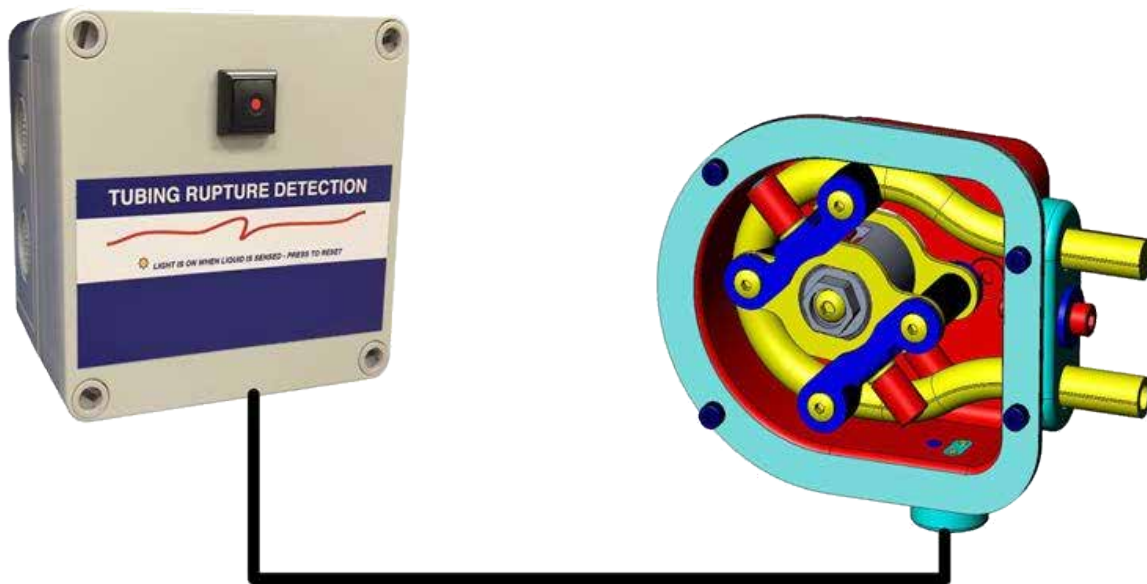


Table of Contents

1.0 System Overview	3
The TRD Tubing Rupture Detector	3
Alarm Causes	3
What to do in an alarm condition?	3
Resetting the alarm	3
Resuming Service	3
Interfacing	4
Calibration	4
Dimensions	5

1.0 System Overview

The TRD Tubing Rupture Detector



Alarm Causes

A rupture alarm is triggered by the presence of a conductive fluid in the pump. When the fluid bridges the two stainless steel electrodes on the LIQUID SENSOR the alarm is triggered.

What to do in an alarm condition?

To clear the alarm, first stop the pump and disconnect power from the pump controller. Remove the pump cover and remove the ruptured pump tubing. Clean the inside of the pump with a soft rag. Remove any liquid or tubing debris from the inside of the pump and the area around the LIQUID SENSOR. Inspect rollers and clean if necessary.

Resetting the alarm

Press the push button on the front of the Tubing Rupture Detector to reset the alarm.

Resuming Service

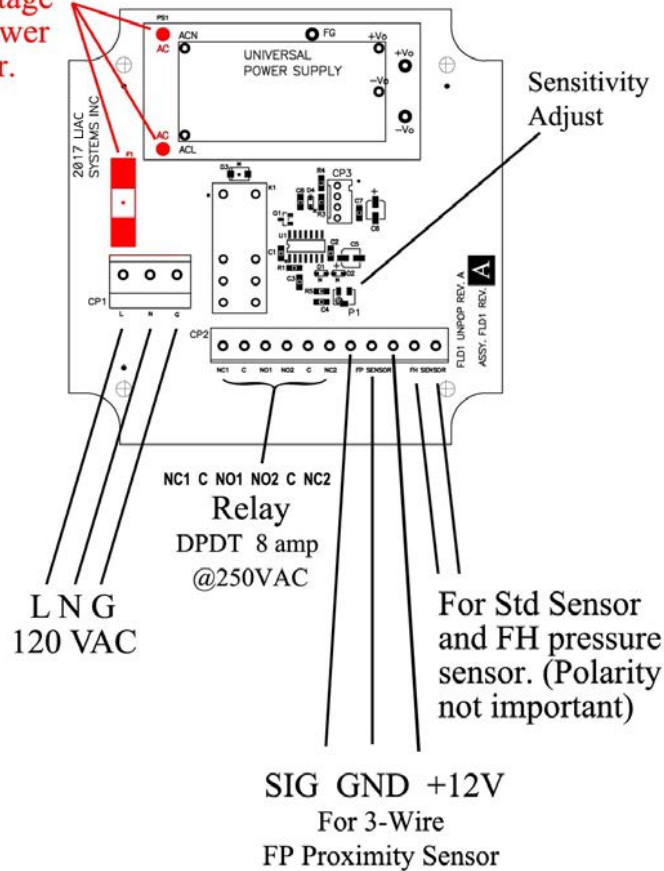
Install a fresh tubing insert and the pump is ready to resume service.



Interfacing

A dual 8 Amp DC DPDT relay is provided to signal or control an external device during an alarm condition. Wiring connections are shown below.

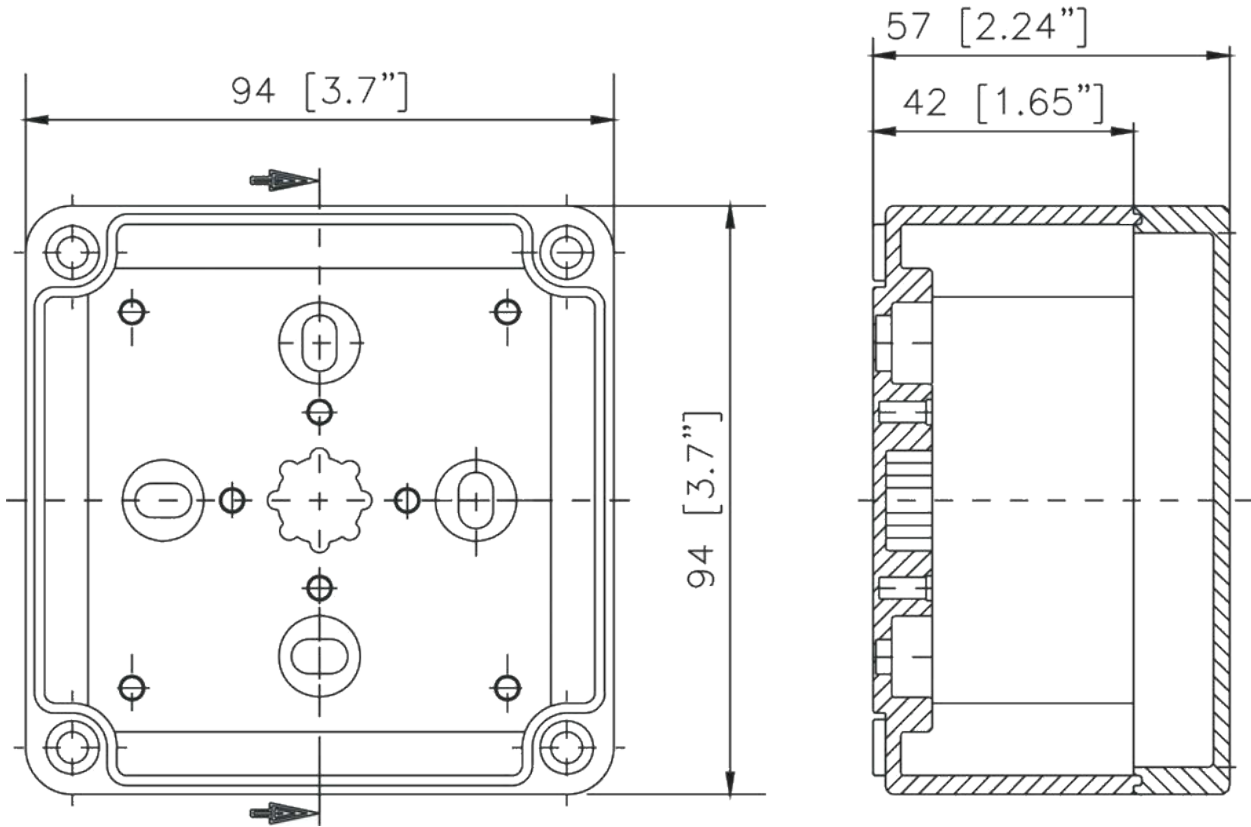
CAUTION: High Voltage
Always disconnect power
before removing cover.



Calibration

Using a small screw driver turn the sensitivity adjusting screw counter clockwise several turns. Apply a wet rag to the LIQUID SENSOR electrodes. Adjust the sensitivity clockwise slowly until the alarm trips.

Dimensions



All dimensions in mm [inches].



Total Fluid Management | Metering Transfer Chem Feed