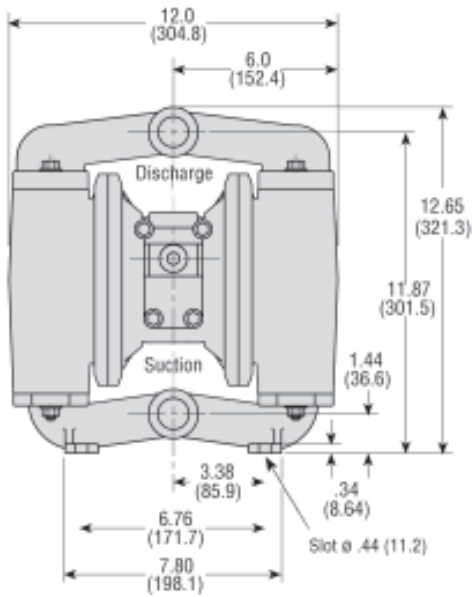
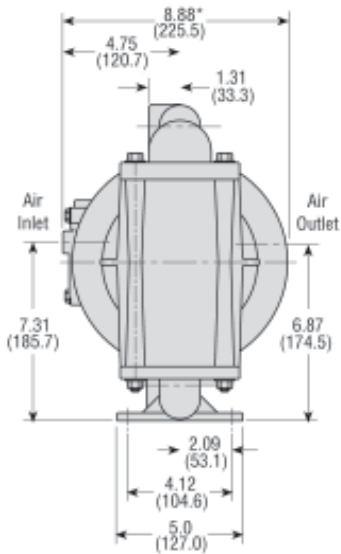


## 1" Bolted Version (metallic)



Front View

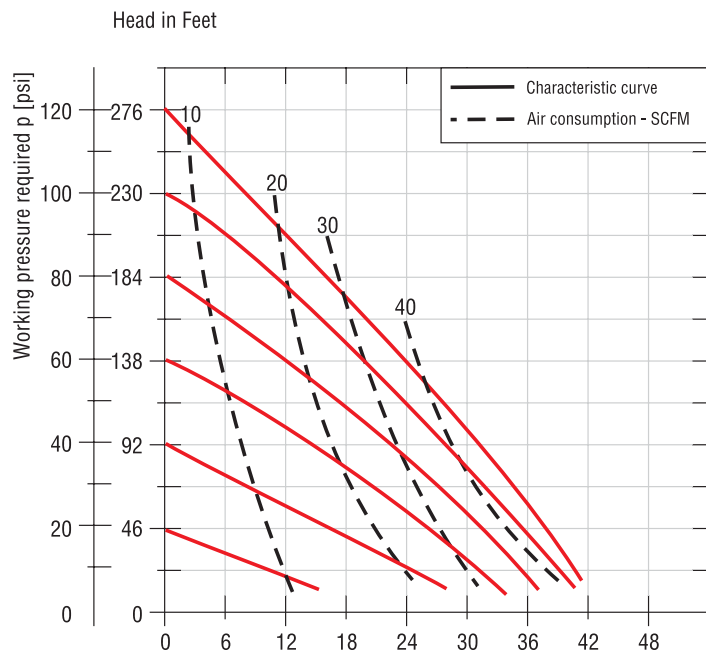


\*Approximate Dimension with Muffler 10.25 (260.4)

Side View



Air Operated Diaphragm Pumps ■ AIRTRAN



Measured values ( $\pm 10\%$ ) determined with water at 68 °F and suction lift 0. U.S. Gallons per minute

Dimensions in mm.

Operating data / Dimensions / Weights		
	1" Aluminum	1" Stainless Steel
Housing material	Aluminum	Stainless Steel 1.4404 (316)
Diaphragm materials	Geolast <sup>®</sup> , Santoprene <sup>®</sup> , Teflon <sup>®</sup> , Viton <sup>®</sup>	Geolast <sup>®</sup> , Teflon <sup>®</sup> , Santoprene <sup>®</sup> , Viton <sup>®</sup>
Valve ball materials	Geolast <sup>®</sup> , Santoprene <sup>®</sup> , Teflon <sup>®</sup> , Viton <sup>®</sup>	Geolast <sup>®</sup> , Teflon <sup>®</sup> , Santoprene <sup>®</sup> , Viton <sup>®</sup>
Seals	Geolast <sup>®</sup> , Teflon <sup>®</sup> , Santoprene <sup>®</sup> , Viton <sup>®</sup>	Geolast <sup>®</sup> , Teflon <sup>®</sup> , Santoprene <sup>®</sup> , Viton <sup>®</sup>
Valve seat	PP, Nylon	Stainless Steel
Flow rate	41 gpm	41 gpm
Volume per stroke*	0.22	0.22
Suction lift dry	14.7 ft	14.7 ft
Suction lift Teflon <sup>®</sup>	9.8 ft	9.8 ft
Maximum air pressure	max. 120 PSI	max. 120 PSI
Temperature limits	200 °F	200 °F
Solids handling	max ∅ 0.25 inches	max ∅ 0.25 inches
Air inlet	1/4" NPT female G 1/2" female	1/4" NPT female G 1/2" female
Air outlet	3/8" NPT female	3/8" NPT female
Suction	1" NPT	1" NPT
Discharge	1" NPT	1" NPT
Weight	23 lbs	45 lbs

\*Based on flooded suction conditions with water and 100 psi air pressure.

Type	Materials of construction		Part No.
	Housing	Diaphragm, Valve Balls, Seals	
1" ALB Alu/Geolast <sup>®</sup> *	Aluminum	Geolast <sup>®</sup>	LJAG-B1
1" ALE Alu/Santoprene <sup>®</sup> *	Aluminum	Santoprene <sup>®</sup>	LJAE-B1
1" ALT Alu/Teflon <sup>®</sup> *	Aluminum	Teflon <sup>®</sup>	LJAT-B1
1" ALV Alu/Viton <sup>®</sup> *	Aluminum	Viton <sup>®</sup>	LJAV-B1
1" SSB SS/Geolast <sup>®</sup> *	Stainless Steel	Geolast <sup>®</sup>	LJSG-B1
1" SSE SS/Santoprene <sup>®</sup> *	Stainless Steel	Santoprene <sup>®</sup>	LJSE-B1
1" SST SS/Teflon <sup>®</sup> *	Stainless Steel	Teflon <sup>®</sup>	LJST-B1
1" SSV SS/Viton <sup>®</sup> *	Stainless Steel	Viton <sup>®</sup>	LJSV-B1

\*Ex II 2G CT4

### Material description

Geolast<sup>2</sup> = NBR/PP compound  
 Kynar<sup>2</sup> = PVDF = Polyvinylidene fluoride  
 Nylon = PA = Polyamide-compound  
 Polypropylene = PP  
 Santoprene<sup>2</sup> = EPDM/PP-compound  
 Teflon<sup>2</sup> = PTFE = Polytetrafluorethylene

### Typical application

Drum and small tank transfer, pickling solutions, chemical feed

Teflon<sup>2</sup> and Viton<sup>2</sup> are registered Trademarks of DuPont Company. Kynar<sup>2</sup> is a registered Trademark of Penwalt Corp. Santoprene<sup>2</sup> is a registered Trademark of Monsanto Company. Geolast<sup>2</sup> is a registered Trademark of Advanced Elastomer Systems.