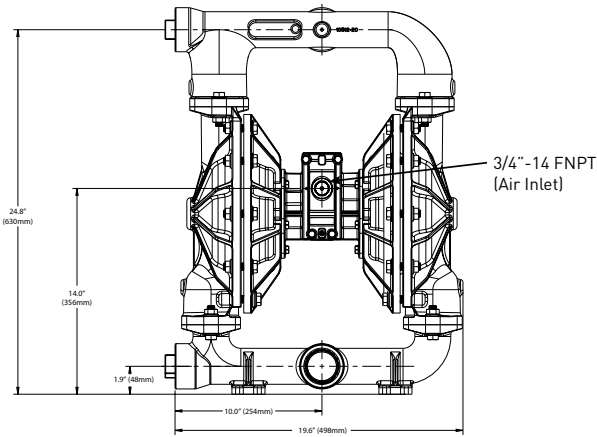
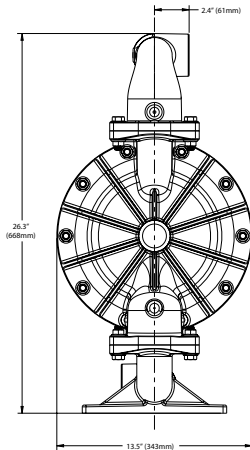


2" Bolted Version (metallic)



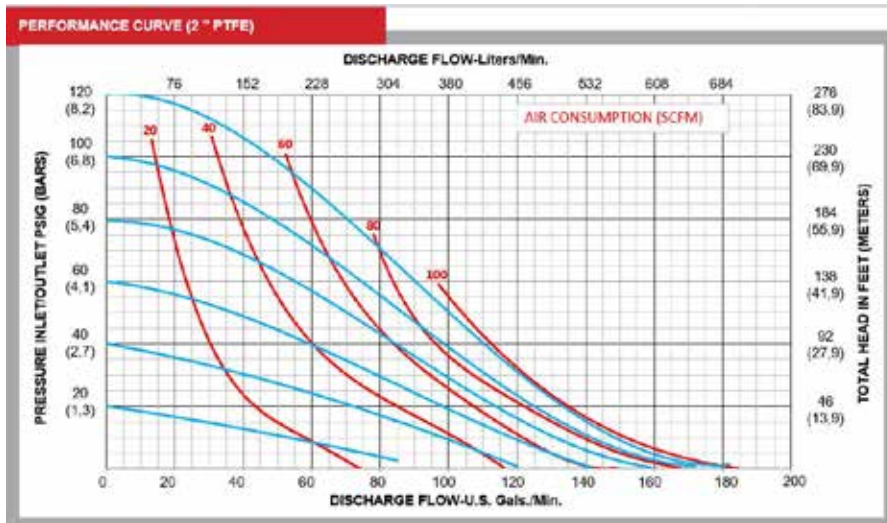
Front View



Side View



Air Operated Diaphragm Pumps ■ AIRTRAN



Dimensions in inches (mm).
Rev. 5



Performance Specifications	
Max. Flow:	190 gpm (719 lpm)
Max. Air Pressure:	120 psi (8.3 bar)
Max. Solids:	1/4" (6.4 mm)
Max. Suction Lift Dry:	24.4 ft-H ₂ O (7.4 m-H ₂ O)
Max. Suction Lift Wet:	31.7 ft-H ₂ O (9.7 m-H ₂ O)
Weight:	AL-62 lbs (28 kg) / SS-130 lbs (59 kg)
Air Inlet:	3/4" FNPT
Liquid Inlet:	2" FNPT, 2" FBSPT, or ANSI/DIN Flanged
Liquid Outlet:	2" FNPT, 2" FBSPT, or ANSI/DIN Flanged
Height:	26.3" (668 mm) AL / 29.5" (749 mm) SS
Width:	19.6" (498 mm) AL / 19.2" (488 mm) SS
Depth:	13.5" (343 mm) AL / 14.9" (378 mm) SS

Type	Materials of construction		Part No. F = flanged T = threaded
	Housing	Diaphragm, Valve Balls, Seals	
2" ALB Aluminum/Geolast®	Aluminum	Geolast®	LJAG-B2F LJAG-B2T
2" ALE Aluminum/Santoprene®	Aluminum	Santoprene®	LJAE-B2F LJAE-B2T
2" ALT Aluminum/Teflon®	Aluminum	Teflon®	LJAT-B2F LJAT-B2T
2" SST SS/Teflon®	Stainless Steel	Teflon®	LJST-B2
2" SSB SS/Geolast®	Stainless Steel	Geolast®	LJSG-B2
2" SSE SS/Santoprene®	Stainless Steel	Santoprene®	LJSE-B2

Material description

- Geolast® = NBR/PP compound
- Nylon = PA = Polyamide-compound
- Polypropylene = PP
- Santoprene® = EPDM/PP-compound
- Teflon® = PTFE = Polytetrafluorethylene
- Viton® = FPM = Fluoro Elastomer

Typical application

Paint, latex, ceramic slip, slurries, polymers, tank car fill and empty, foods

Teflon® and Viton® are registered Trademarks of DuPont Company. Kynar® is a registered Trademark of Penwalt Corp. Santoprene® is a registered Trademark of Monsanto Company. Geolast® is a registered Trademark of Advanced Elastomer Systems.