

## Unbeatable in price and performance

The MEMDOS MD combines high metering qualities with a robust design - at an affordable price.

The pump is based on an operating mechanical dosing principle that has proven itself successful for many years at minimal cost of maintenance. The pump runs almost silent and is leak free. All models reach a dosing range of up to 37.5 gph. In addition, its performance has a variable speed from 0 to 100%.

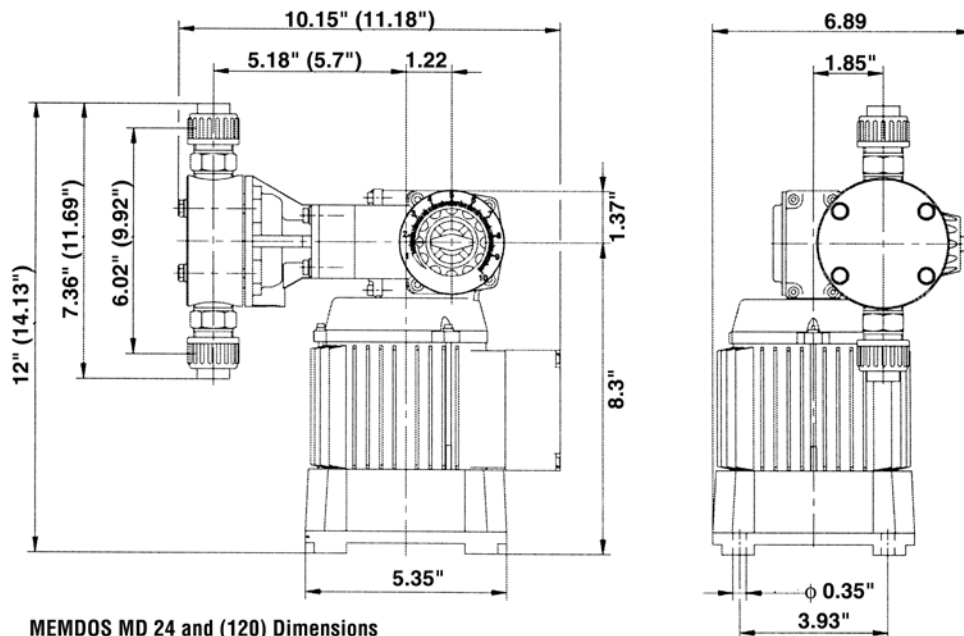
The MEMDOS MD is a simple metering pump with its head mounted on the left-hand side. Dosing head and valves are available in different materials. The electrical connection for the three-phase motor runs directly into the terminal box. Alternating voltage operation is also possible.

## In short

- Easy to use
- Gear parts and storage are lubricated for life
- Hub length is manually adjustable from 0 - 100%
- Max. dosing range: 37.5 gph
- Suitable for toxic and aggressive substances
- Materials: PVC, PP, PVDF, stainless dosing head and valves; seal FPM
- Double-ball valves
- Coated in EPDM - PTFE lining
- Gearbox with one-level worm-wheel gear ratio



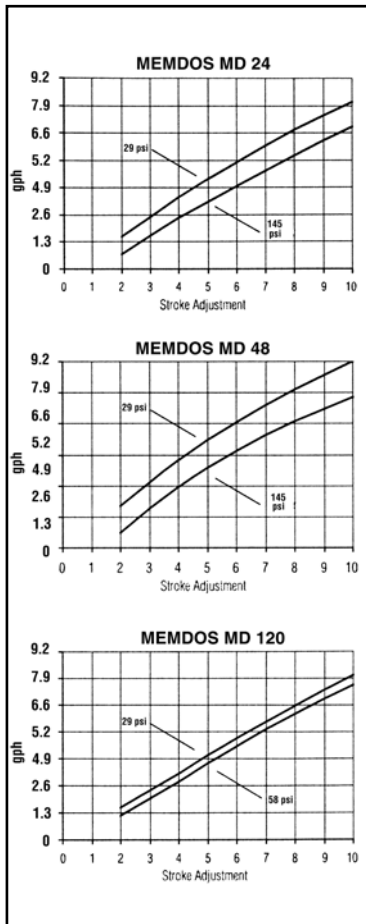
## Dimensional Drawing



## Mechanical Handling Characteristics

Characteristics of the mechanical handling rank at 68°F (20°C) for water. Mediums (specific gravity and viscosity) and temperature change the mechanical handling capacity. Therefore metering pumps must be litred out during use.

- All the operational pumps in the Tables have seals made from FPM
- Other materials available upon request
- Suction and discharge sides have the same size connection



## Technical Data

MEMDOS MD		E24	E48	E120
Flow rate	GPH	7.95	15.85	37.5
Maximum pressure	PSI	150	75	30
Maximum pressure <sup>1</sup>		150	75	30
Stroke frequency	l/m in.	48	96	96
Stroke volume	ml/Hub	8.5	8.5	20.8
Diaphragm diameter	in.	2.5	2.5	3.5
Suction lift	ft.	23	23	10
Double ball valve in pipe diameter		DN6	DN6	DN10
Max. environment temperature	°F			
Max. medium temperature	°F			
Motor specifications 3-phase				
Motor specifications 1-phase				
Weight of plastic model	lb.	15.5	15.5	17.6

<sup>1</sup>Single phase (PSI)

## Range of Standard Pumps

Type	Material	Connections
MD24	PVC	1/4" - 3/8" tubing
	PP	Terminal connection 1/4" - 3/8" tubing
	PVDF	Terminal connection 1/4" - 3/8" tubing
	Stainless Steel	Insert nut G1/4 internal 1/4" NPT
MD48	PVC	Terminal connection 1/4" - 3/8" tubing
	PP	Terminal connection 1/4" - 3/8" tubing
	PVDF	Terminal connection 1/4" - 3/8" tubing
	Stainless Steel	Insert nut G1/4 internal 1/4" NPT
MD120	PVC	Terminal connection 5/8" - 3/4"
	PP	Terminal connection 5/8" - 3/4"
	PVDF	Welding socket 5/8" x 3/4"
	Stainless Steel	Insert nut 3/4" NPT