

## Product Information Chlorinator C 2525-MH

### Vacuum Chlorinators

State of the art chlorinators are designed for vacuum operation according to DIN 19606. To avoid the risk of chlorine leakage all pipings and devices downstream of the vacuum regulator are below atmospheric pressure. In case of leakage air is sucked into the system, but no chlorine escapes into the atmosphere. Thus it ensures the highest safety standards for handling of this toxic medium.

### Function

The chlorinator C 2525-MH provides these main elements:

- **Flow meter**  
The flow meter consists of a glass tube with a scale and a cone floater which displays the current chlorine flow. The device includes a flow rate valve for easy manual operation.  
Standard ranges: 5/10/15/25 kg/h Cl<sub>2</sub>  
Lower ranges on request: 1/2 kg/h Cl<sub>2</sub>
- **Automatic control valve (optional)**  
In many applications the flow of chlorine is adjusted remotely depending on the flow of water and/or the amount of free chlorine. For these kinds of applications the C 2525-MH is supplied with an integrated automatic control valve type C 7700. These valves are sized to fit the measuring range of the flow meter and they are available for different control signals. Details are given in the data sheet of the control valve.
- **Backpressure regulator**  
The backpressure regulator ensures constant operating conditions for the flow meter and the flow rate valve. Thus it ensures reliable chlorination even in case of varying suction conditions of the ejector.
- **Vacuum gauge**  
The vacuum gauge shows the suction condition of the ejector. Electrical contacts for remote indication are optionally available.

### Installation type

The chlorinators are available in a wall mounted version, type C 2525-MH/WL, and a floor mounted cabinet version, C 2525-MH/SL. The cabinet version is equipped with an epoxy coated steel frame and a removable plastic cover. The front panel consists of black polypropylene.



### In short

- Flow rates 5/10/15/25 kg/h Cl<sub>2</sub>
- Vacuum technology according to DIN 19606
- Manual or automatic control
- Wall mounted or cabinet type

## Technical data

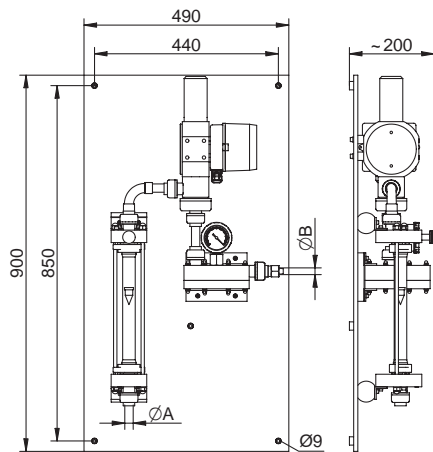
Dosing ranges		up to 25 kg/h Cl <sub>2</sub>
Operating vacuum		-100 mbar
Required ejector vacuum		-250 mbar
Flow adjustment range		0 ... 100 %
Flow meter	Length	300 mm
	Accuracy	±2 % FSD
	Scale ratio	1:20
	Material	glass
Vacuum gauge	Range	-1 ... 0 bar
	Size	Ø63 mm
	Accuracy	±2.5 % FSD
Materials of construction in contact with chlorine	Plastics	PVC
	Springs	Hastelloy
	Sealings, Diaphragm	FPM
Weight (with C7700)	WL-type	12.5 kg
	SL-type	37 kg
Ambient temperature		0 ... 40 °C (no direct sun light)

## Model variants

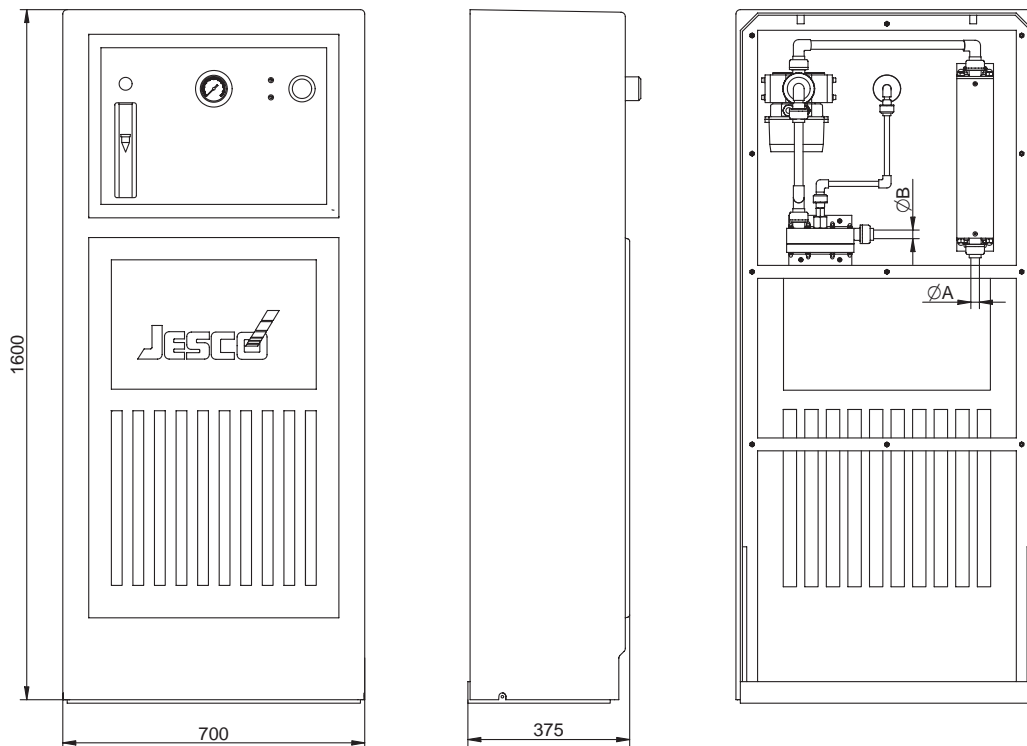
Dosing capacity	Order No.					
	Manual adjustment		Automatic control			
			3-point-step 230 VAC feedback 0-1kΩ		4 ... 20 mA 24 VAC	
	WL (wall)	SL (cabinet)	WL (wall)	SL (cabinet)	WL (wall)	SL (cabinet)
5 kg/h Cl <sub>2</sub>	20800002	20800010	20800003	20800013	20800006	20800016
10 kg/h Cl <sub>2</sub>	20800017	20800009	20800019	20800012	20800007	20800015
15 kg/h Cl <sub>2</sub>	20800001	20800008	20800004	20800011	20800005	20800014
25 kg/h Cl <sub>2</sub>	20800018	20800022	20800020	20800023	20800021	20800025

### Dimensional figure

C 2525-MH/WL (wall mounted version)



C 2525-MH/SL (cabinet version)

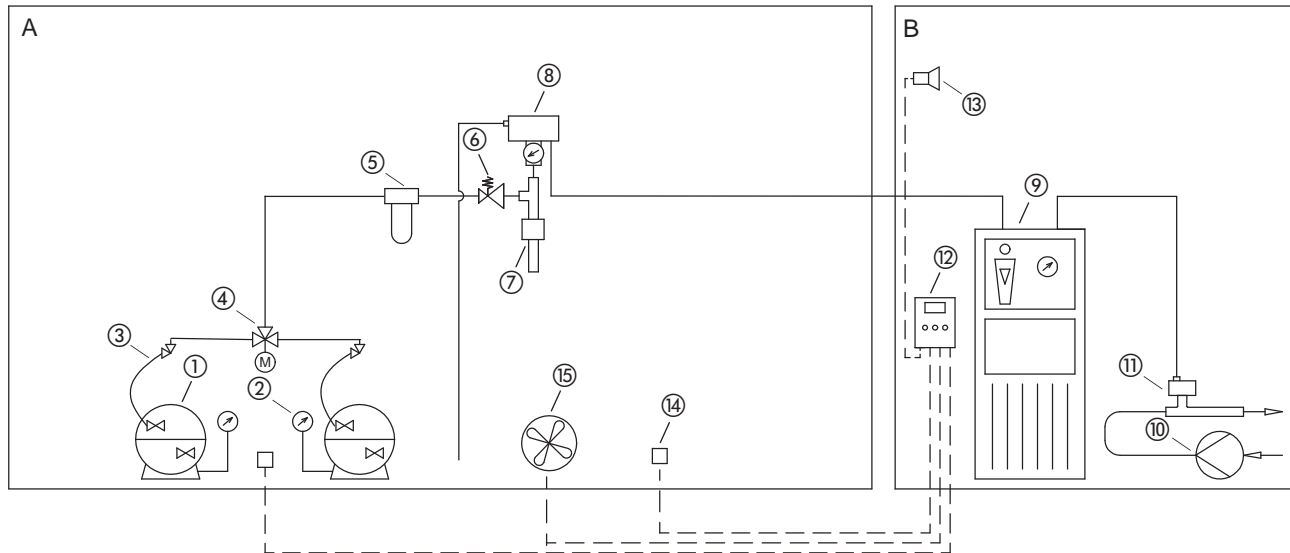


All dimensions in mm

Connection	Measure	Valid for	Description
Chlorine inlet	ØA	all	PVC pipe union DN15 / d20 mm
Chlorine outlet	ØB	5 kg/h	PE-hose 8/12
		10 kg/h	PE-hose 12/16
		15 kg/h	PE-hose 12/16
		25 kg/h	PVC pipe union DN15 / d20 mm

# Product Information Chlorinator C 2525-MH

## Installation Example



A	Room for chlorine supply
①	Chlorine drum
②	Chlorine drum scale
③	Manifold
④	Changeover valve
⑤	Chlorine gas filter
⑥	Pressure reducer
⑦	Catchpot with heater
⑧	Vacuum regulator
⑭	Gas sensor
⑮	Inlet of chlorine scrubber

B	Room of dosing equipment
⑨	Chlorinator
⑩	Booster pump
⑪	Ejector with check valve
⑫	Gas warning device
⑬	Horn

## Spare Parts

Description		Order No.
Maintenance kit for C 2525-MH without automatic control valve (for annual service) all sealings and diaphragm	all sizes	38554
Maintenance kit for automatic control valve C 7700 (for annual service)	5/10/15 kg/h	34982
	25 kg/h	37077
Vacuum gauge -1 ... 0 bar for backpressure regulator (replacement is recommended after 5 years of use)	for C 2525-MH/WL	24087250
	for C 2525-MH/SL	87387

## Special Tools

Description	Order No.
Wrench for mounting the diaphragm of the backpressure regulator (2 wrenches are required)	25268