

## Product Information Flow sensor FLOWCON LP 1

### Flow control

The FLOWCON LP 1 flow sensor was specially developed for monitoring oscillating volume flows. It is used in a variety of dosing systems.

Thanks to its particularly compact design it can be installed directly on a pump's discharge valve. It uses a reed switch to forward flow fluctuations in the line as an electric pulse.

### Checking the pulse

The function is based on the evaluation of the pulsating flow behaviour that typically occurs in dosing pumps. During the pressure stroke, a float is lifted from the flowing fluid, thus activating a reed switch. By adjusting the switch point, it is possible to monitor the dosing quantity previously determined by gauging.

This makes it possible not only to sense whether the dosing pump is delivering fluid, but also whether the set dosing capacity is achieved. Assuming equal pressure and viscosity of the medium, the rate of reproducibility is 10 – 20 %.

Software embedded in the MAGDOS LP is used to analyse the FLOWCON signal. As an alternative, the system can analyse the FLOWCON using an SPS.

### In Short

- Efficient monitoring of pulsating volume flows
- Compact design, highly robust product
- Easy handling
- Capacity between 0.36 and 13 l/h
- Electric analysis using MAGDOS LP, or performed externally using SPS



### Technical specifications

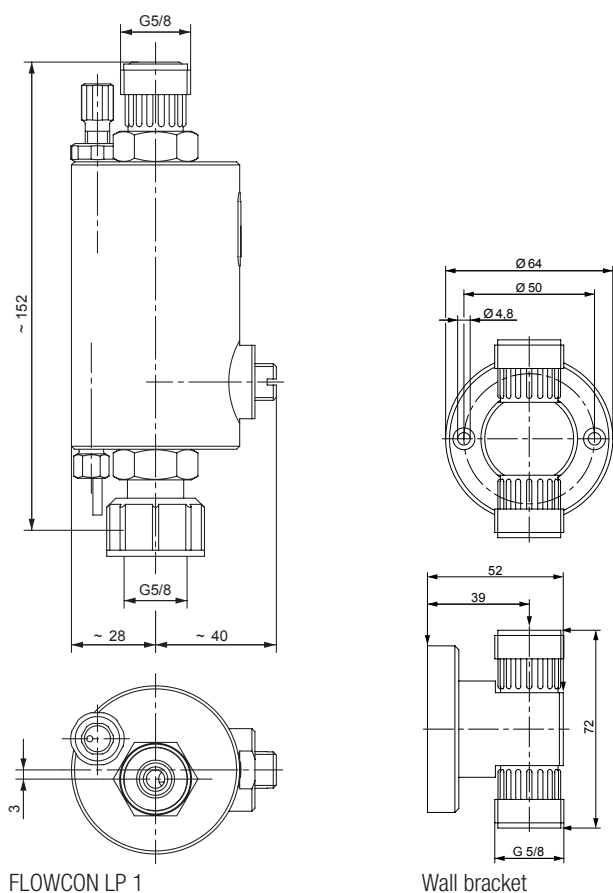
Housing material	PMMA / PVC
Sealing material	FPM or EPDM
Connections	Input: Cap nut G5/8 Output: Threaded pin G5/8
Dosing range	MAGDOS LP 05 – 15
Max. viscosity	400 mPas (dependent on spring used) If the dosing pump is used MAGDOS LP 15: 40 mPas
Max. back pressure	16 bar
Max. stroke frequency	250 min <sup>-1</sup>
Electrical connection	M12x1 plug connector (A-coded)
Permitted media temperature	5 – 35 °C
Permitted ambient temperature	0 – 40 °C
Switching capacity reed switch	48 V AC/DC, 0.5 A, max. 12 VA
Weight	0.26 kg

# Product Information Flow sensor FLOWCON LP 1

## Model variants

Product name	Material	Nominal width	Connections	Order no.
FLOWCON LP 1	EPDM	DN4	G5/8	13300600
	FPM	DN4	G5/8	13300601

## Dimensions



FLOWCON LP 1

Wall bracket

Base

All dimensions in mm

## Accessories

In addition to the FLOWCON LP 1 system, the following accessories are available for installation:

Description	Order no.	
PVC base	Clamp connection 4/6 – G5/8	34560
	Clamp connection 6/9 – G5/8	40934
	Clamp connection 6/12 – G5/8	34561
PVC wall bracket	G5/8	34563

## Spare parts

Description	Order no.
Spare spring for viscosities of up to 150 mPas	23788
Spare spring for viscosities of up to 400 mPas	22016
Spare reed switch	79615